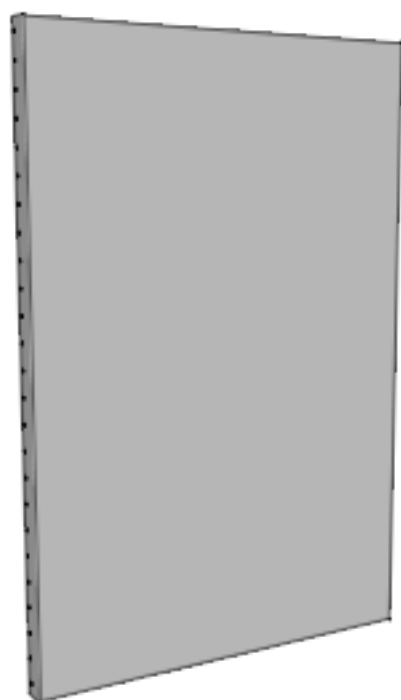
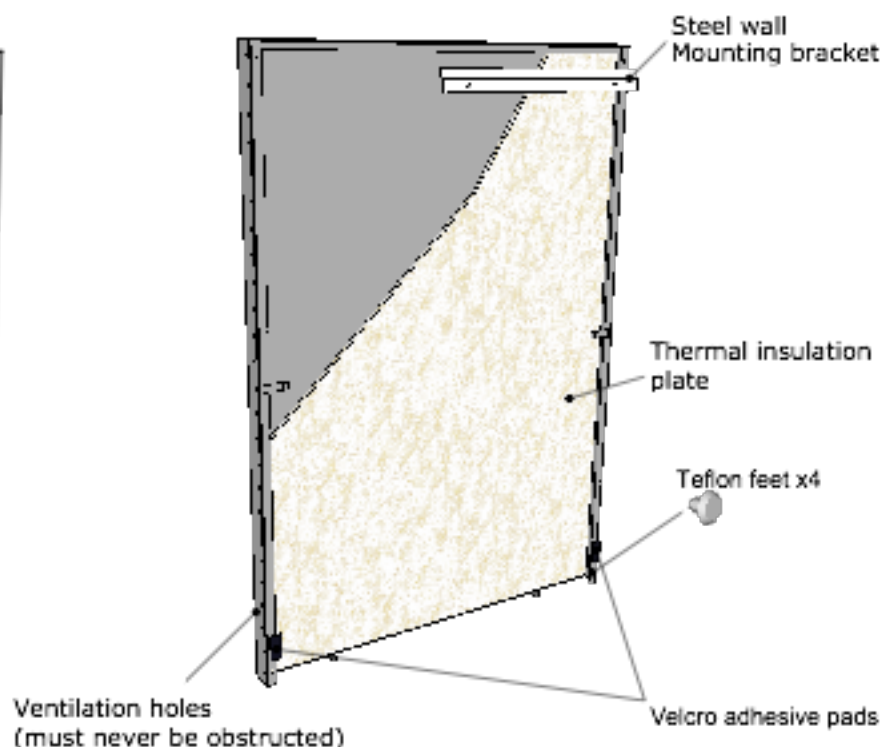


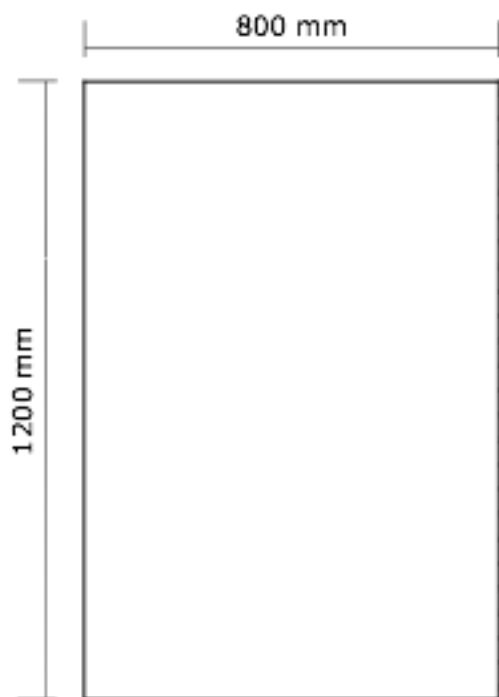
FRONT



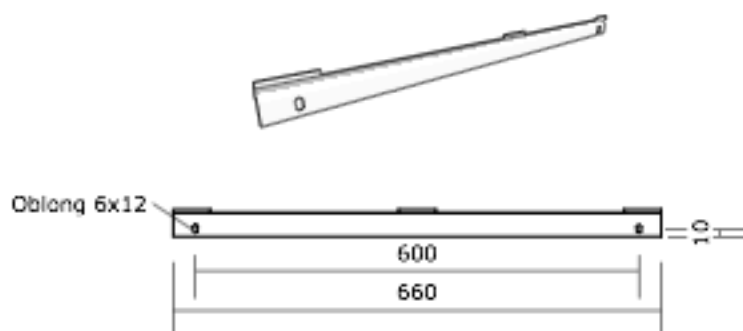
BACK



FRONT VIEW



WALL MOUNTING BRACKET



SCREWS X2

