

# MILANO WATER VERSION W/BASE (BA)

Radiator composed of 25.8 cm diameter steel modules

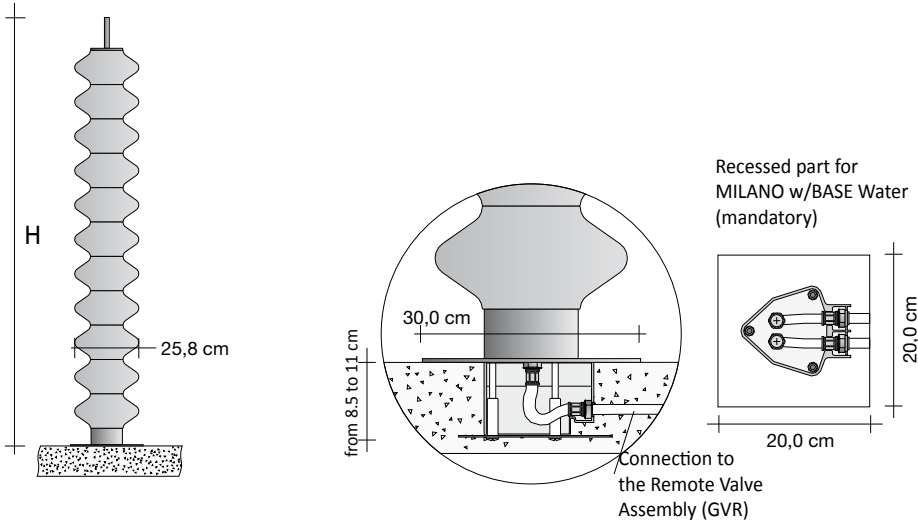
**ORDER EXAMPLE** To correctly order this model follow the example specified below:

## VERSION W/BASE (BA)

**PRODUCT** **MLN#200 BA IDR 9010**  
 MLN#200BA IDR Article code found in the prices table here below  
 9010 Colour code to be checked in the Tubes Colour Chart

### ACCESSORIES

Procedures for Recessed parts (mandatory)  
 INCMLNBA#IDR Recessed part for MILANO w/BASE Water (mandatory)  
 Cod. GVR One way Remote Valve Assembly, CHROME finish  
 Cod. GVRC#\* One way Remote Valve Assembly, COLOUR finish\*  
 \* Specify the color code, e.g.: 9010, after checking the Tubes Colour Chart



## VERSION W/BASE (BA)

(the prices do not include arrangement for recessing)

Model	H (cm)	L (cm)	Thermal yield Watts $\Delta T$ 50°C	Thermal yield Watts $\Delta T$ 30°C	Price (€)
MLN#170BAIDR	171,5	25,8	800	422	
MLN#200BAIDR	199,0	25,8	934	494	
MLN#230BAIDR	227,0	25,8	1079	565	

### Recessed PART for MILANO Wall Type and Floor type (mandatory)

Includes the wall recessed part for connection to remote valve assembly (GVR) and the support of the external part of Milano

Model	Description	Price (€)
INCMLNBA#IDR	Milano Floor recess	
INCMLNPA#IDR170	Recessed part for MILANO 170 Wall Type (mandatory)	
INCMLNPA#IDR200	Recessed part for MILANO 200 Wall Type (mandatory)	
INCMLNPA#IDR230	Recessed part for MILANO 230 Wall Type (mandatory)	

### ADDITIONAL COLOUR CHARGE (see the official Tubes Colour Chart)

Additional colour charges are calculated over the Pure white price (Cat. C0), for the other categories the additional charges herein below are applicable: Category C1 and C2 +15% - C3 Category +25% - RAL not included in the colour chart +30%. According to samples : Request feasibility and cost estimate. Colours not available: GRRC.

### REMOTE VALVE ASSEMBLY

Valve and Lockshield assembly for remote connection (GVR), can be installed up to a maximum distance of 6 metres from the radiator.

Connection of Remote Valve Assembly (GVR) to water system

Code	Description	Finishes	Price (€)
GVR#	RECESSED valve and lockshield assembly for remote connection	CHROME	
GVRC#	RECESSED valve and lockshield assembly for remote connection	COLOUR	

# MILANO WATER WALL TYPE VERSION (PA)

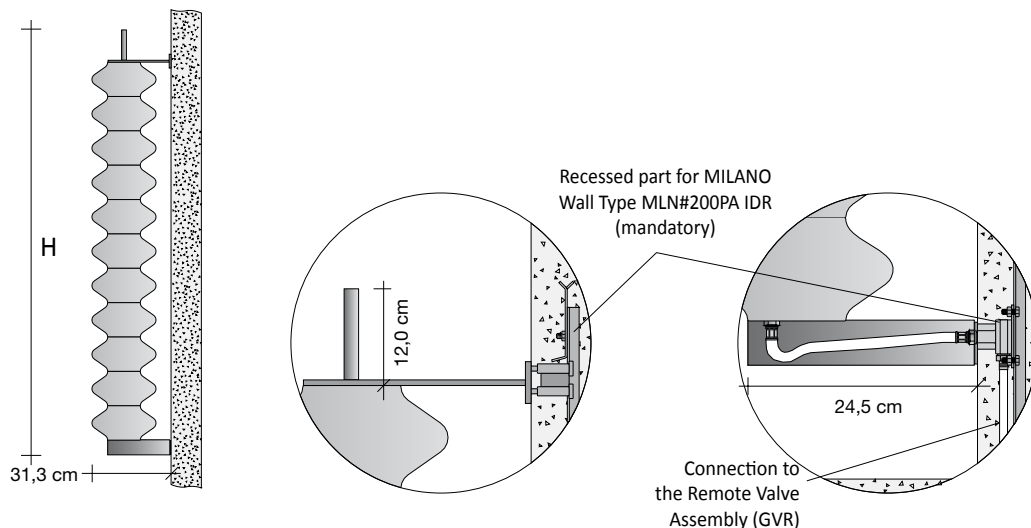
Radiator composed of 25.8 cm diameter steel modules

**ORDER EXAMPLE** To correctly order this model follow the example specified below:

## WALL TYPE VERSION (PA)

**PRODUCT** MLN#200 PA IDR 9010  
 MLN#200PA IDR Article code found in the prices table here below  
 9010 Colour code to be checked in the Tubes Colour Chart

**ACCESSORIES**  
 Procedures for Recessed parts (mandatory)  
 INCMLNPA#IDR200 Recessed part for MILANO Wall Type MLN#200PA IDR (mandatory)  
 Cod. GVR One way Remote Valve Assembly, CHROME finish  
 Cod. GVRC#\* One way Remote Valve Assembly, COLOUR finish\*  
 \* Specify the color code, e.g.: 9010, after checking the Tubes Colour Chart



## WALL TYPE VERSION (PA)

(the prices do not include arrangement for recessing)

Model	H (cm)	L (cm)	Thermal yield Watts $\Delta T$ 50°C	Thermal yield Watts $\Delta T$ 30°C	Price (€)
MLN#170PAIDR	171,5	31,3	800	422	
MLN#200PAIDR	199,0	31,3	934	494	
MLN#230PAIDR	227,0	31,3	1079	565	

## Recessed PART for MILANO Wall Type and Floor type (mandatory)

Includes the wall recessed part for connection to remote valve assembly (GVR) and the support of the external part of Milano

Model	Description	Price (€)
INCMLNBA#IDR	Milano Floor recess	
INCMLNPA#IDR170	Recessed part for MILANO 170 Wall Type (mandatory)	
INCMLNPA#IDR200	Recessed part for MILANO 200 Wall Type (mandatory)	
INCMLNPA#IDR230	Recessed part for MILANO 230 Wall Type (mandatory)	

## ADDITIONAL COLOUR CHARGE (see the official Tubes Colour Chart)

Additional colour charges are calculated over the Pure white price (Cat. C0), for the other categories the additional charges herein below are applicable: Category C1 and C2 +15% - C3 Category +25% - RAL not included in the colour chart +30%. According to samples : Request feasibility and cost estimate. Colours not available: GRRC.

## REMOTE VALVE ASSEMBLY

Valve and Lockshield assembly for remote connection (GVR), can be installed up to a maximum distance of 6 metres from the radiator.

Connection of Remote Valve Assembly (GVR) to water system

Code	Description	Finishes	Price (€)
GVR#	RECESSED valve and lockshield assembly for remote connection	CHROME	
GVRC#	RECESSED valve and lockshield assembly for remote connection	COLOUR	

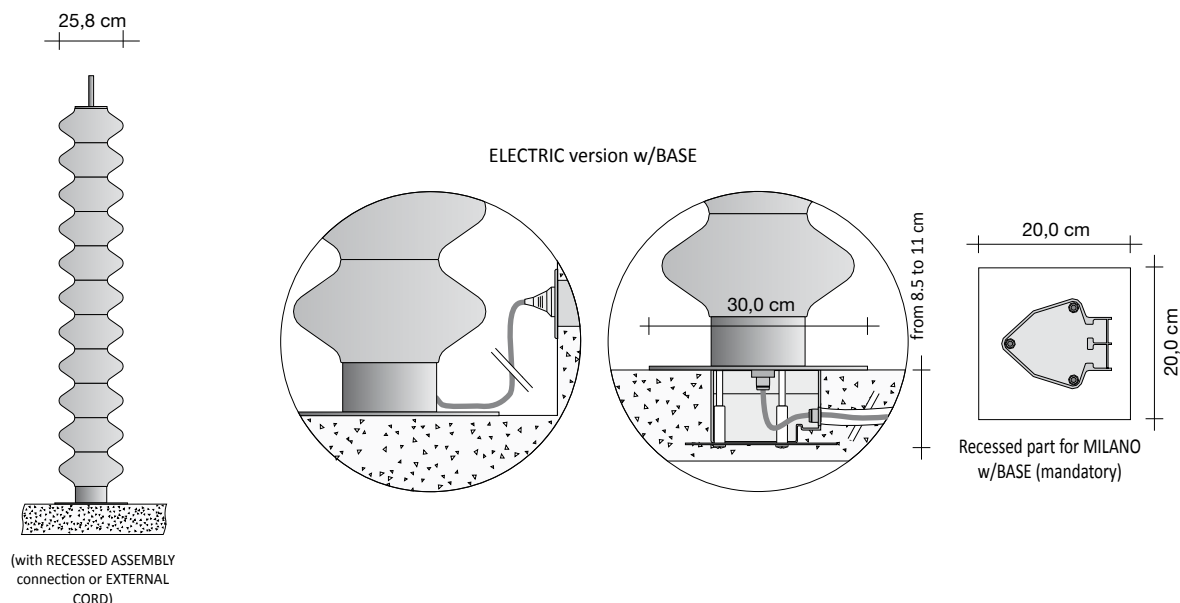
**ORDER EXAMPLE** To correctly order this model follow the example specified below:

## VERSION W/BASE (BA)

**PRODUCT** **MLN2#200 BA ELI 9010**  
 MLN2#200BA ELI Article code found in the prices table here below  
 9010 Colour code to be checked in the Tubes Colour Chart

**ACCESSORIES**  
 Procedures for Recessed parts (mandatory)  
 INCMNLNBA#... Recessed part for MILANO w/BASE MLN2#200 BA ELI (mandatory)

**ELECTRIC ADJUSTERS** (supplied as an accessory)  
 ZRF004 Kit with WALL type room thermostat (radio frequency)  
 ZRF007 Kit with WALL type room thermostat (radio frequency) with weekly PROGRAMMING



## MILANO W/BASE with RECESSED CONNECTION

(the prices do not include arrangement for recessing, see table below)

Model	H (cm)	L (cm)	Thermal yield Watts	Price (€)
MLN2#170BAELI	171,5	25,8	800	
MLN2#200BAELI	199,0	25,8	900	
MLN2#230BAELI	227,0	25,8	1000	

## MILANO W/BASE with EXTERNAL CORD

Base Diameter = 42 cm

Model	H (cm)	L (cm)	Thermal yield Watts	Price (€)
MLN2#170BMELE	171,5	25,8	800	
MLN2#200BMELE	199,0	25,8	900	
MLN2#230BMELE	227,0	25,8	1000	

## ELECTRIC ADJUSTERS

Electrical setting is via the use of the following thermostats that regulate the room temperature by interacting with up to max 5 radiators.

cod. ZRF007	cod. ZRF004	Code	Description	Price**(€)
		ZRF004*	Kit with WALL type room thermostat (radio frequency)	
		ZRF007*	Kit with WALL type room thermostat (radio frequency) with weekly PROGRAMMING	

\*\* The price of the two kits mentioned above includes the wall box radiofrequency receiver that strictly must be installed.

# MILANO ELECTRIC WALL TYPE VERSION (PA)

Radiator composed of 25.8 cm diameter steel modules



EL

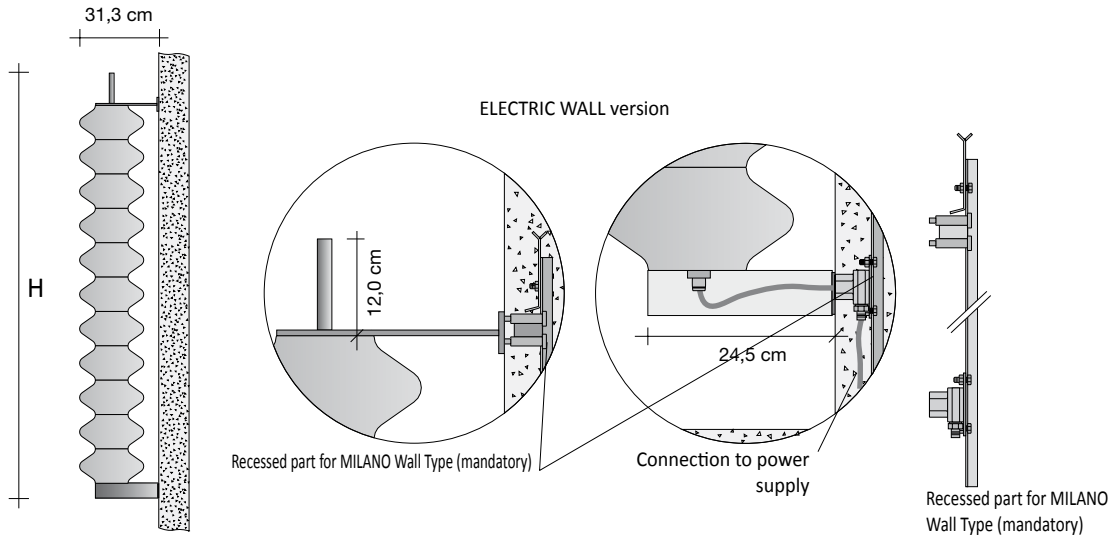
**ORDER EXAMPLE** To correctly order this model follow the example specified below:

## WALL TYPE VERSION (PA)

**PRODUCT** **MLN2#200 PA ELI 9010**  
 MLN2#200PA ELE Article code found in the prices table here below  
 9010 Colour code to be checked in the Tubes Colour Chart

**ACCESSORIES**  
 Procedures for Recessed parts (mandatory)  
 INCM LNPA#200ELI Recessed part for MILANO Wall Type MLN2#200 PA ELE (mandatory)

**ELECTRIC ADJUSTERS** (supplied as an accessory)  
 ZRF004 Kit with WALL type room thermostat (radio frequency)  
 ZRF007 Kit with WALL type room thermostat (radio frequency) with weekly PROGRAMMING



## MILANO WALL VERSION

(the prices do not include arrangement for recessing, see table below)

Model	H (cm)	L (cm)	Thermal yield Watts	Price (€)
MLN2#170PAELI	171,5	31,3	800	
MLN2#200PAELI	199,0	31,3	900	
MLN2#230PAELI	227,0	31,3	1000	

Model	Description	Price (€)
INCM LNBA#ELI	Milano Floor recess	
INCM LNPA#ELI170	Recessed part for MILANO 170 Wall Type (mandatory)	
INCM LNPA#ELI200	Recessed part for MILANO 200 Wall Type (mandatory)	
INCM LNPA#ELI230	Recessed part for MILANO 230 Wall Type (mandatory)	

## ELECTRIC ADJUSTERS

Electrical setting is via the use of the following thermostats that regulate the room temperature by interacting with up to max 5 radiators.

cod. ZRF007	cod. ZRF004	Code	Description	Price** (€)
		ZRF004*	Kit with WALL type room thermostat (radio frequency)	
		ZRF007*	Kit with WALL type room thermostat (radio frequency) with weekly PROGRAMMING	

\*\* The price of the two kits mentioned above includes the wall box radiofrequency receiver that strictly must be installed.

# MILANO CEILING TYPE ELECTRIC

Radiator composed of 25.8 cm diameter steel modules



**ORDER EXAMPLE** To correctly order this model follow the example specified below:

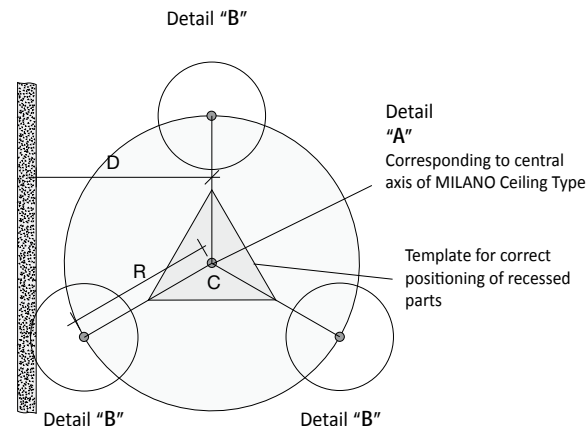
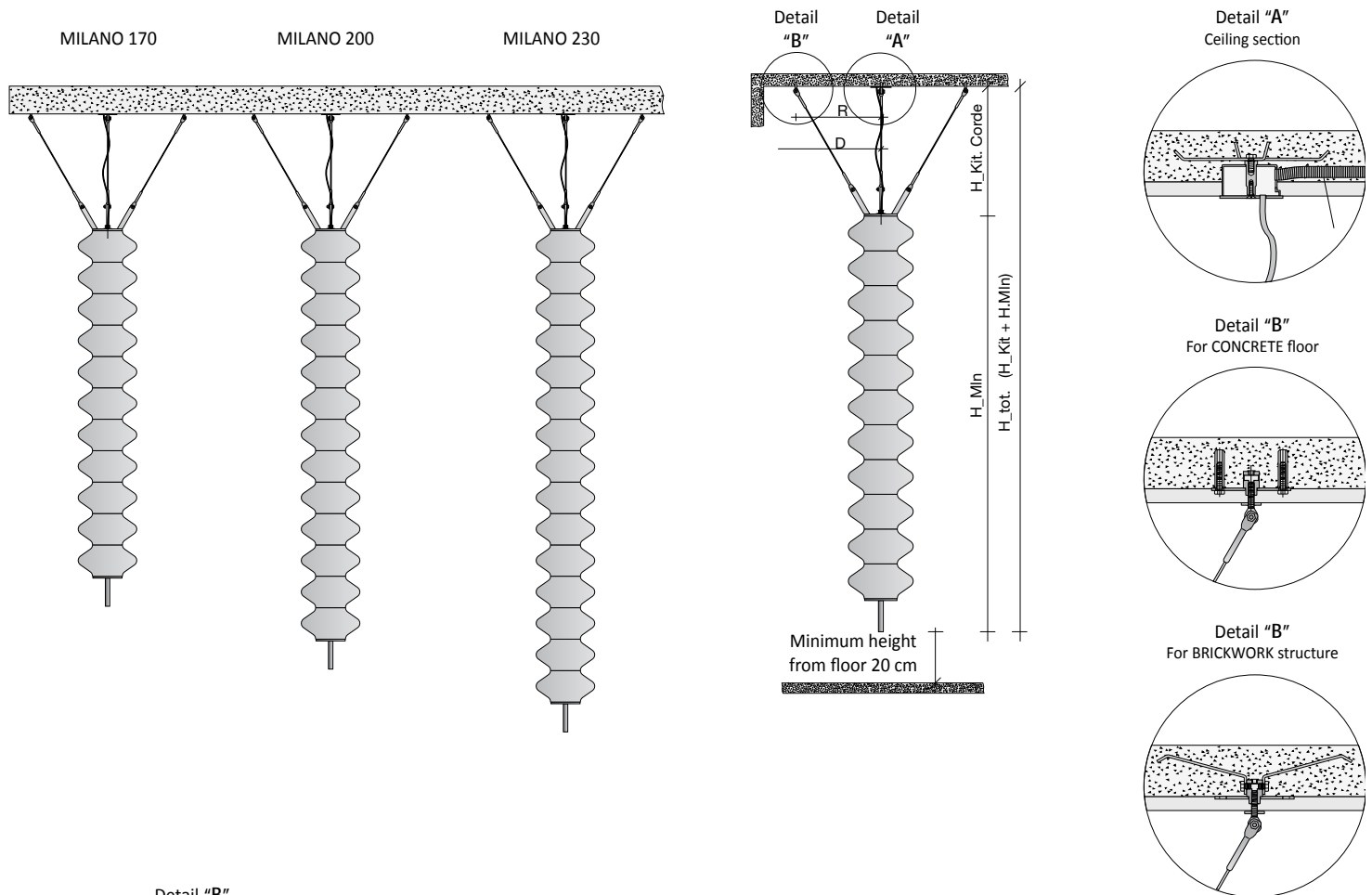
**PRODUCT**  
MLN2#200SO ELI 9010  
Article code found in the prices table here below  
Colour code to be checked in the Tubes Colour Chart

**ACCESSORIES**  
Procedures for Recessed parts (mandatory)  
INCMO#... Recessed part for MILANO Ceiling Type MLN2SO#200 (mandatory)

**KIT WITH TIE STUDS FOR CEILING FIXING**  
GRT#... Pull Rod kit for ceiling fixing MILANO

**ELECTRIC ADJUSTERS**  
ZRF004 Kit with WALL type room thermostat (radio frequency)  
ZRF007 Kit with WALL type room thermostat (radio frequency) with weekly PROGRAMMING

**TAKE CARE:** for the proper installation of MILANO ceiling type carefully follow the installation instructions supplied with the product



- R** Radius that identifies the position of "B" fixing Tie studs from the "C" central axis of MILANO (see table above)
- D** Distance of "C" (central axis of del MILANO) to the wall. D must be more than R by at least 10 cm
- C** Central axis of MILANO

**N.B.:** D has to exceed R by at least 10 cm

**H\_Kit** Required height of tie studs kit

**H\_Total** Total height of MILANO ceiling type -Tie studs Kit included - must be less than 20 cm of total height (from floor to ceiling) of the place of installation.

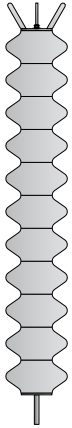
# MILANO CEILING TYPE ELECTRIC

Radiator composed of 25.8 cm diameter steel modules

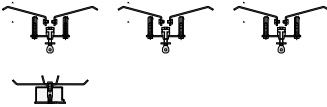


EL

## MILANO Ceiling Type (MLN2#...)



Model	Description	Thermal yield Watts	Price (€)
MLN2#170SOELI	MILANO Ceiling Type 170	800	
MLN2#200SOELI	MILANO Ceiling Type 200	900	
MLN2#230SOELI	MILANO Ceiling Type 230	1000	



Model	Description	Price (€)
INCMSO#040	MLN2 Type Ceiling recessed part kit Pull Rod for ceiling fixing H 40 cm	
INCMSO#050	MLN2 Type Ceiling recessed part kit Pull Rod for ceiling fixing H 50 cm	
INCMSO#060	MLN2 Type Ceiling recessed part kit Pull Rod for ceiling fixing H 60 cm	
INCMSO#075	MLN2 Type Ceiling recessed part kit Pull Rod for ceiling fixing H 75 cm	
INCMSO#100	MLN2 Type Ceiling recessed part kit Pull Rod for ceiling fixing H 100 cm	
INCMSO#125	MLN2 Type Ceiling recessed part kit Pull Rod for ceiling fixing H 125 cm	
INCMSO#150	MLN2 Type Ceiling recessed part kit Pull Rod for ceiling fixing H 150 cm	

## Pull Rod kit for ceiling fixing MILANO (GRT#...)



## Kit with wires for ceiling fixing

Model	Description	H. Wires (cm)	Radius that identifies the position of ceiling recessed parts	H_TOT (overall height MILANO + Tie studs)			Price (€)
				MLN2170	MLN2200	MLN2230	
GRT#040	Kit with 40 cm Pull Rod	40,0	R. 28 cm	204	232	259	
GRT#050	Kit with 50 cm Pull Rod	50,0	R. 33 cm	214	242	269	
GRT#060	Kit with 60 cm Pull Rod	60,0	R. 39 cm	224	252	279	
GRT#075	Kit with 75 cm Pull Rod	75,0	R. 48 cm	239	267	294	
GRT#100	Kit with 100 cm Pull Rod	100,0	R. 62 cm	264	292	319	
GRT#125	Kit with 125 cm Pull Rod	125,0	R. 77 cm	289	317	344	
GRT#150	Kit with 150 cm Pull Rod	150,0	R. 91 cm	314	342	369	

## ELECTRIC ADJUSTERS

Electrical setting is via the use of the following thermostats that regulate the room temperature by interacting with up to max 5 radiators.

Code	Description	Price** (€)
cod. ZRF007	+	
cod. ZRF004		
ZRF004*	Kit with WALL type room thermostat (radio frequency)	
ZRF007*	Kit with WALL type room thermostat (radio frequency) with weekly PROGRAMMING	

\*\* The price of the two kits mentioned above includes the wall box radiofrequency receiver that strictly must be installed.