



focus
by **IGNISIAL**

**E-GNIS GYROFOCUS
ELECTRONIC BURNER**

Installation and user manual

Contents

| | |
|--------------------------------------|-----------|
| General information..... | 03 |
| Lexical sheet..... | 04 |
| Installation recommendations..... | 06 |
| Burner installation..... | 07 |
| Installing the ceramic log kit..... | 12 |
| Operating instructions..... | 15 |
| Filling the burner..... | 16 |
| Checking the burner status..... | 18 |
| Burner ignition..... | 19 |
| Burner off..... | 20 |
| Appendix: Control panel display..... | 21 |

General information

1. GENERAL

Before use, please read the following instructions very carefully and follow them to ensure that you use your fireplace safely.

The appliance must be installed in accordance with the manufacturer's instructions.

Failure to follow these instructions could result in damage to property (installation site, fireplace) as well as personal injury.

This appliance is for domestic use only.

The appliance must be protected from access by children, animals and unauthorised persons.

For indoor appliance use and only installed in a FOCUS fireplace.

The ethanol used must be at a temperature above 15°C at the time of loading and ignition.

2. WARNING

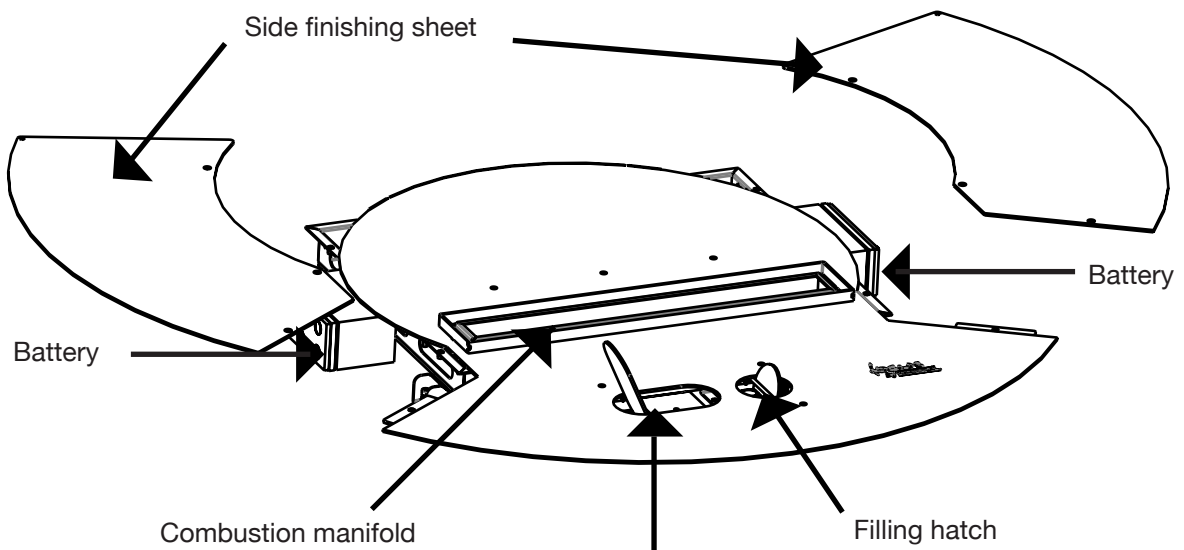
For proper use, the user must comply with the instructions supplied with the appliance and with the following instructions:

- It is forbidden to use this appliance on its own, out of a FOCUS fireplace, in caravans, boats and all types of vehicles...
- This appliance must not be used in insufficiently ventilated rooms below floor level.
- It is forbidden for the user to tamper with the burner safety devices.
- It is forbidden to use an ignition system other than that recommended by the manufacturer.
- Do not use the appliance in damp or draughty conditions.
- It is forbidden to have flammable or heat-sensitive objects within 800mm of the appliance.
- It is forbidden to place objects on the appliance (other than those suggested by the manufacturer).
- Ventilation slots must not be covered.
- It is forbidden to use any fuel other than that recommended in the instructions.
- This appliance is not suitable for continuous operation.
- This appliance is fitted with a safety system that prevents it from reigniting when hot.
- It is forbidden for the user to add any additives

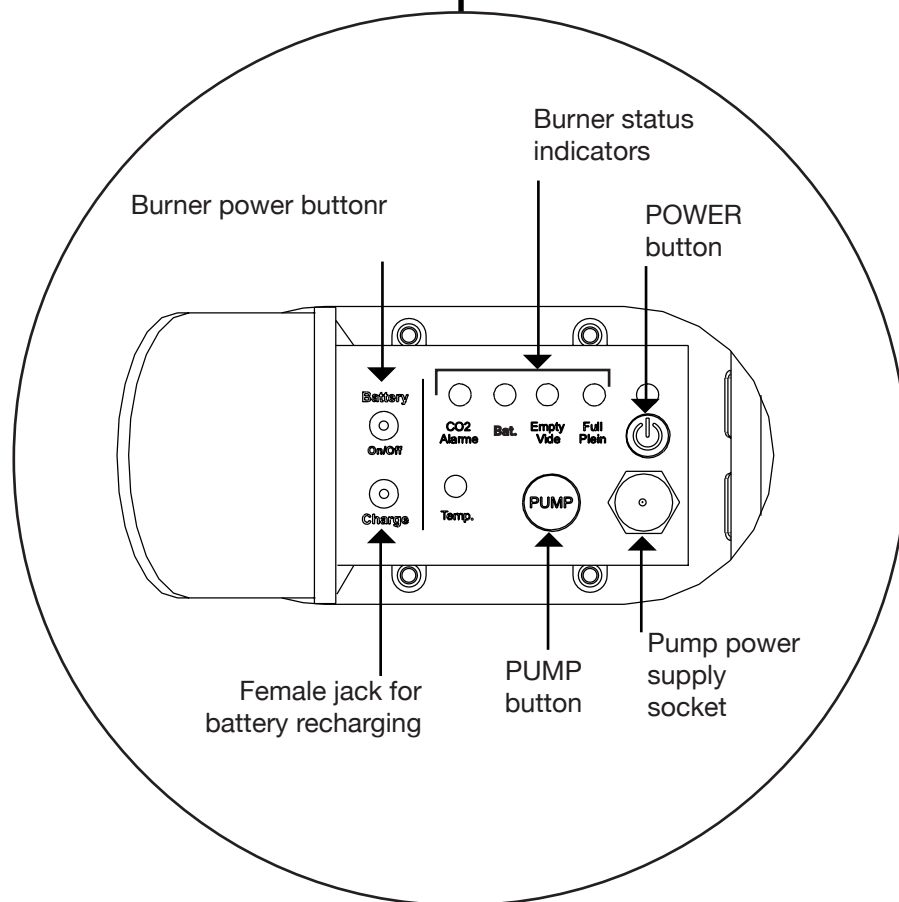
(essential oils, perfumes, etc.) to the fuel.

- The tank must be filled when the appliance is switched off and cold (fire safety).
- Comply with the conditions in force for fuel storage (e.g. health regulations, co-ownership regulations).
- Children must not fill or ignite the appliance.
- As the surfaces of the appliance can be hot, keep them out of the reach of children and away from any flammable materials.
- Do not throw anything into the appliance: rubbish, paper, etc.
- Never use the appliance to cook food or heat liquids.
- Do not dismantle the appliance.
- Do not block the burner.

1. BURNER

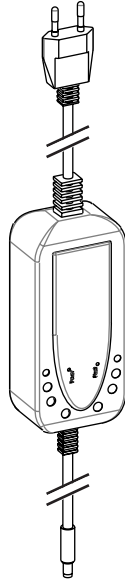
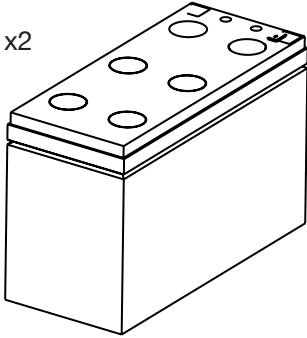


2. CONTROL PANEL

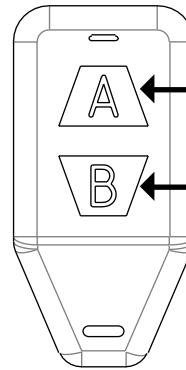


3. BATTERIES AND CHARGER

x2



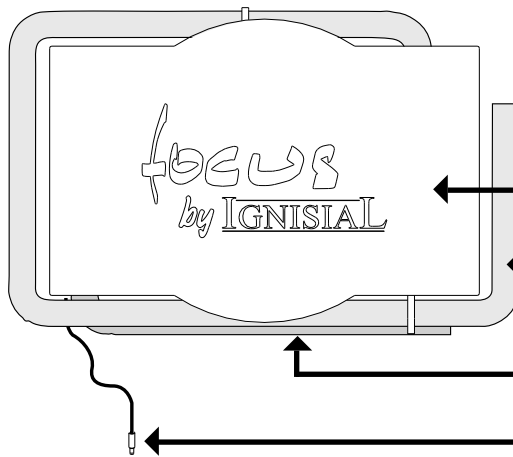
4. REMOTE CONTROL



ON button

OFF button

5. FILLING PUMP



Pump body canister

Hose

Burner hose

Power cable

SUPPLIED WITH :


- Funnel
- Adaptable tap for ALUFLAM cans
- Microfibre wipe
- Mounting wedge (x2)

Installation recommendations

Before installing this appliance, it is absolutely essential that you take note of the following recommendations and follow them rigorously to ensure safe installation and prevent any potential hazards. Any installation that does not comply with these instructions will invalidate the guarantee on your appliance and will be your sole responsibility.


This appliance can be installed in a Gyrofocus not connected to a flue or retrofitted in a Gyrofocus (ordered from May 2011) connected to a flue.

- **Case 1: Installation in a Gyrofocus not connected to a flue.**

 Before installing the burner, it is essential to install the fireplace in accordance with the instructions in the document supplied by Focus with the fireplace.



- **Cas n°2 : Installation in a Gyrofocus connected to a flue.**

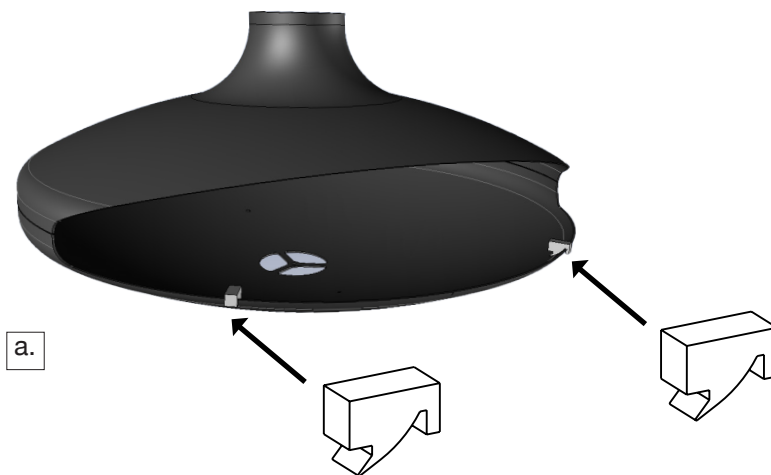
 In the case of a retrofit, before installing the burner in the fireplace, the flue must be swept. Remove the fire grate. Remove the ash trap. Replacement of the rotation device bearing with a stainless steel bearing.



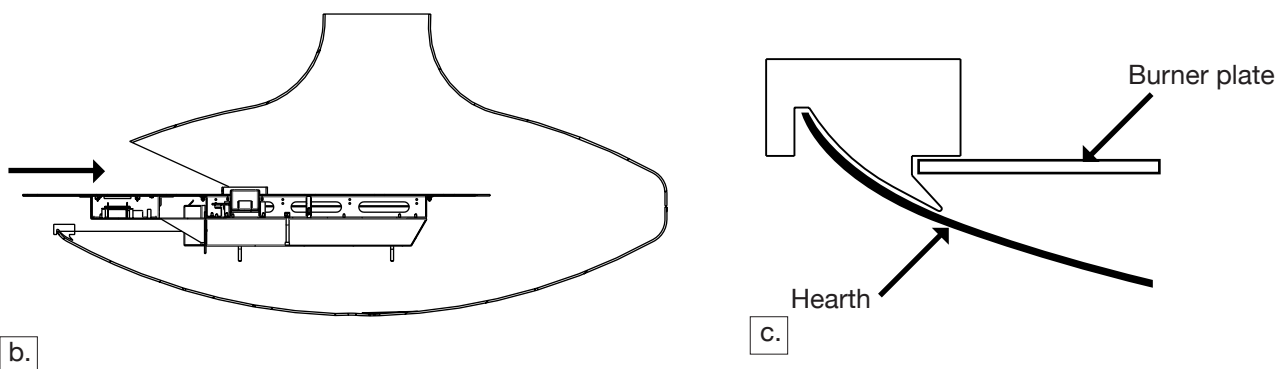
Burner installation

Burner positioning

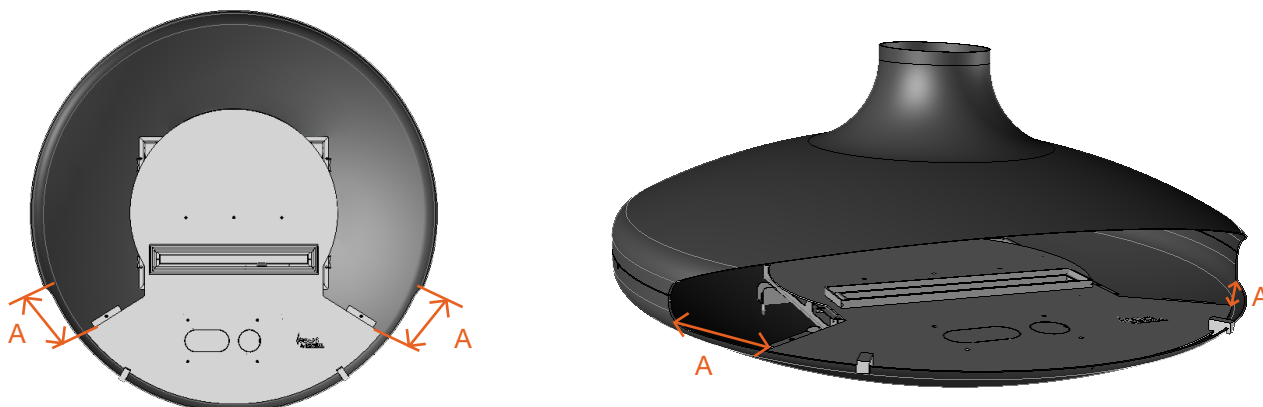
- 1 Position the wedges between the firebox opening and the burner.



- 2 Insert the burner into the firebox



- 3 Position the burner so that gaplight «A» is even between the burner and the edge of the firebox opening on the left and on the right. Then remove the wedges.

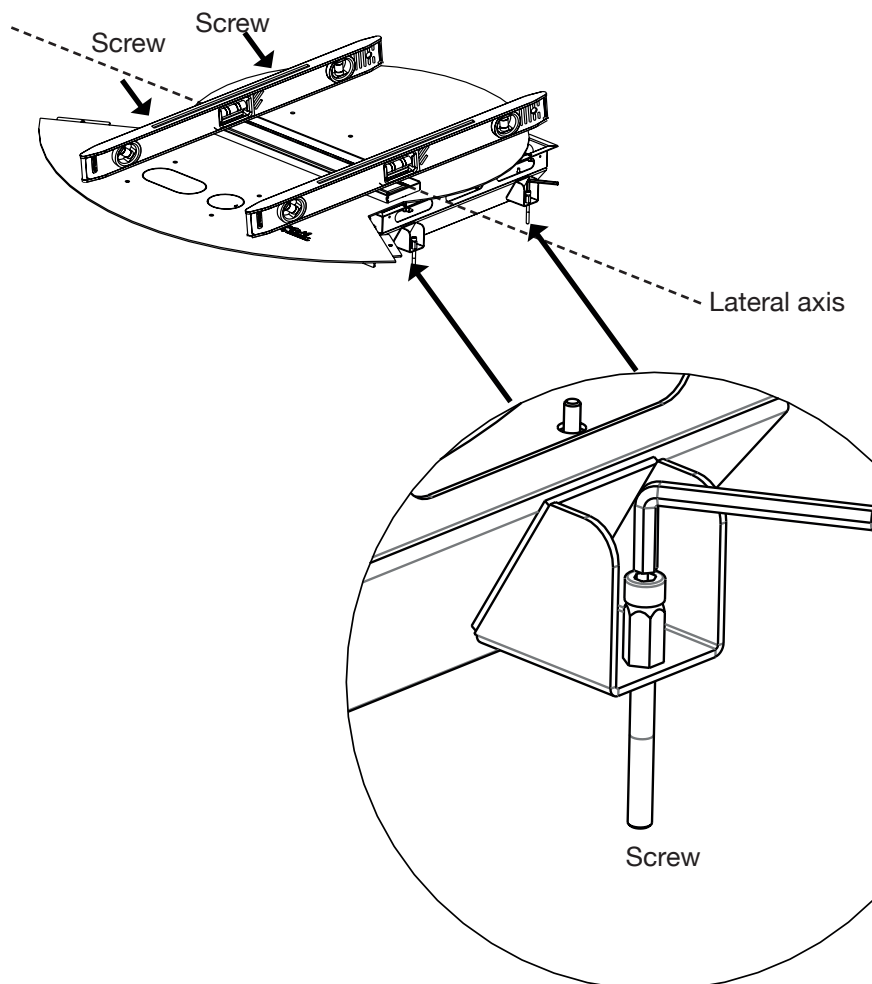


Burner installation

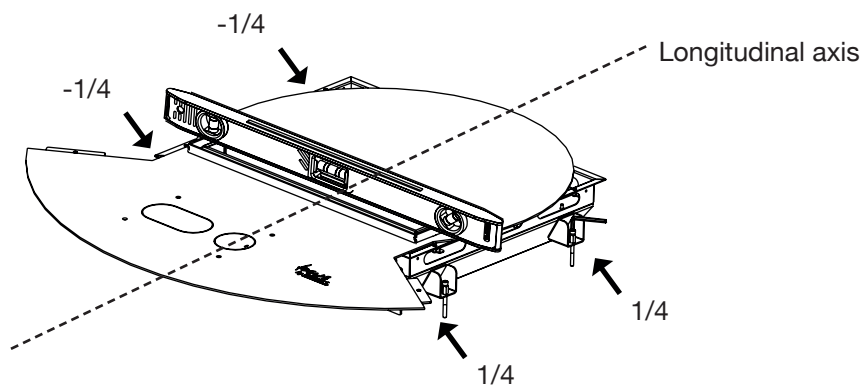


Level the burner

- 4 Level the burner height along the side axis (take the level from the burner plate).
The level is adjusted using the 4 screws (M6 HC) .



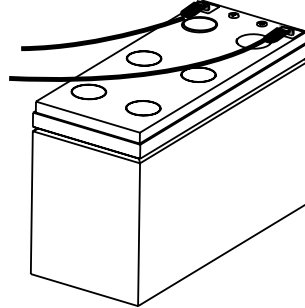
- 5 Level the burner along the longitudinal axis (take the level from the burner rail).
In order not to affect the setting made in illustration 4, adjust the two screws in the same way and the two other screws in illustration 5 in reverse (for example : 1/4 turn and -1/4 turn).



Burner installation

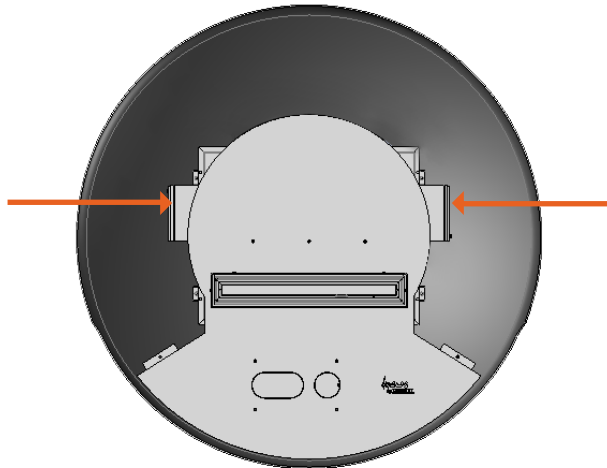
Positioning the batteries

- 6 Remove the battery connection cables from the cover of the device.
Then connect the batteries, observing the polarity of the battery.

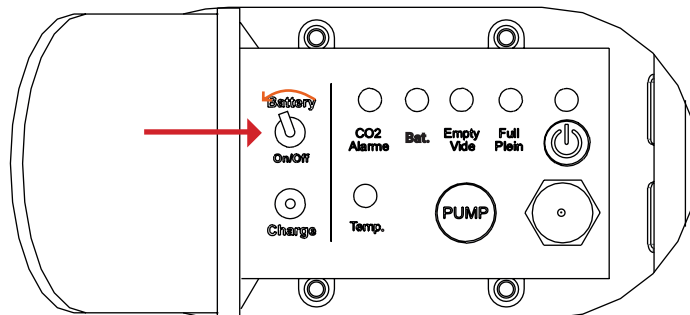


Batteries are supplied in a thermally insulated casing. It is strictly forbidden to remove this casing as this could cause irreversible damage to the batteries.

- 7 Position the batteries so that they rest against the rear jack feet.



- 8 **Perform a power-up test on the device to make sure it is properly connected.**
To do this, open the control panel and turn the button from OFF to ON.



5 seconds after pressing the switch, the display LEDs should light up once in succession to indicate that the card has been powered up properly.

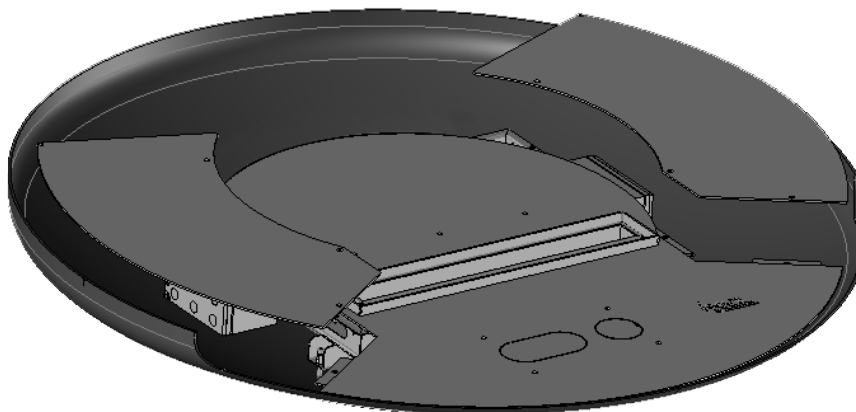


WARNING : this action must only be carried out by a qualified person and only when the batteries are connected and installed, otherwise it will damage the autonomy of the appliance and could cause electronic damage to the burner.

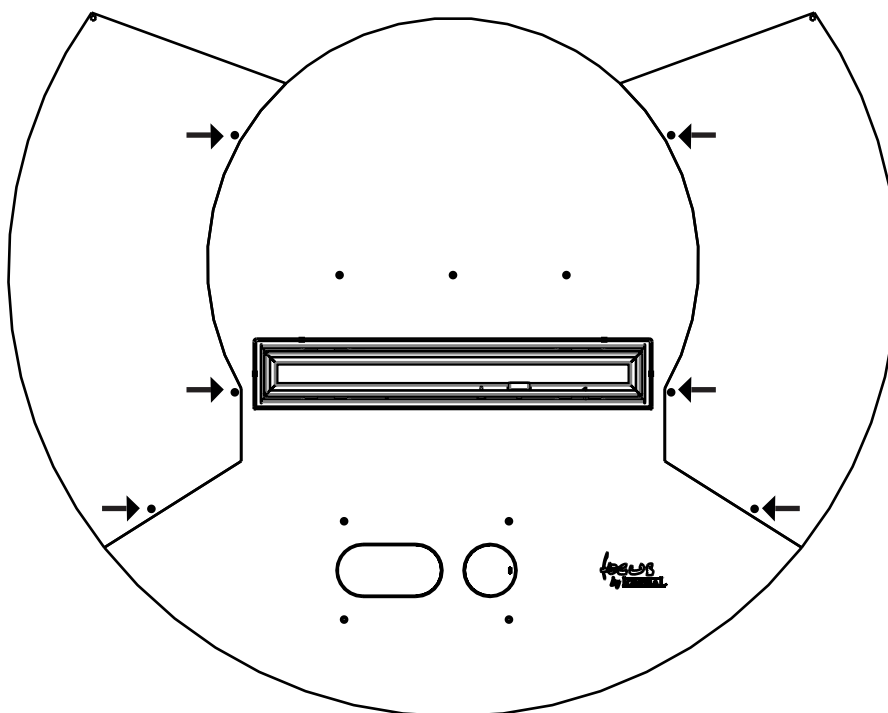
Burner installation

Positioning the finishing side panels

9



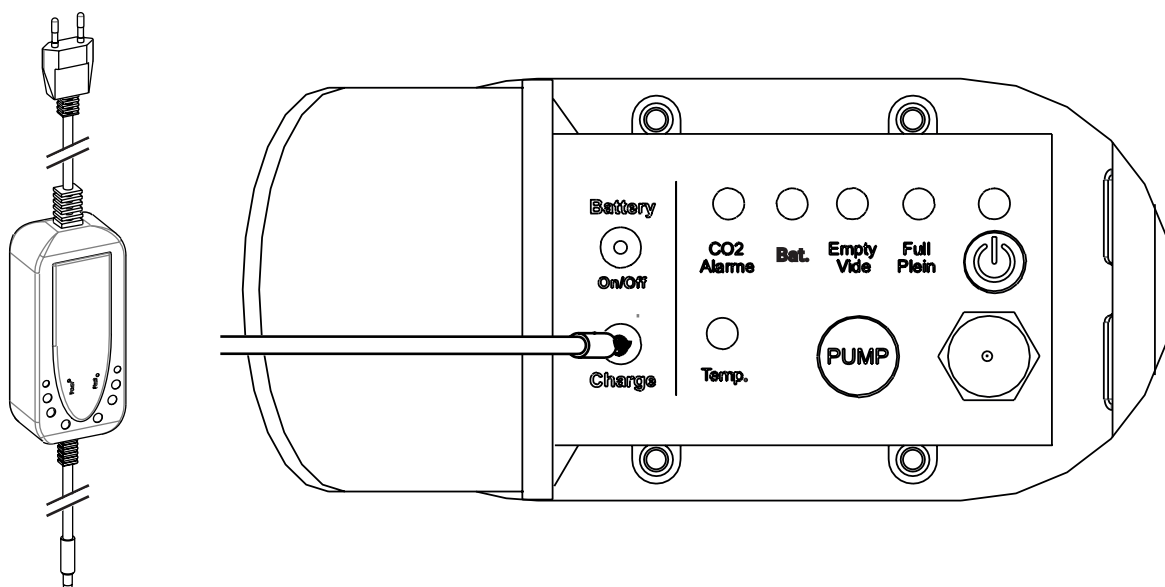
10 Secure with the 6 (M4) screws supplied



Burner installation

Loading the burner

To maximise battery life, we recommend that you charge the device once it has been installed.



Installing the ceramic log kit

Log 1



Log 2



Log 3



Log 4



Log 5



Log 6



Log 7



Log 8



Log 9



Log 10



Installing the ceramic log kit

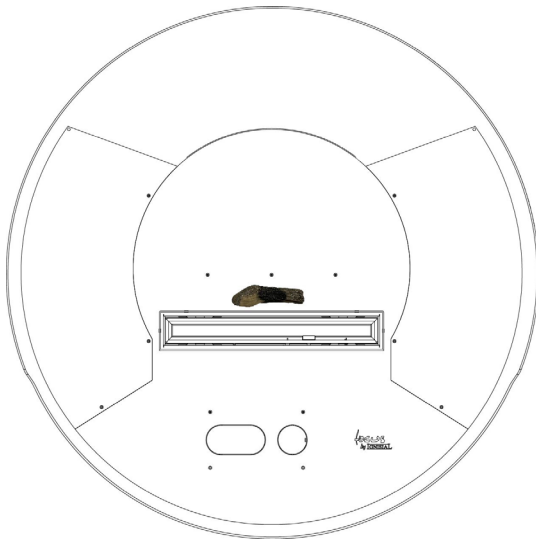
Suggested positioning of logs



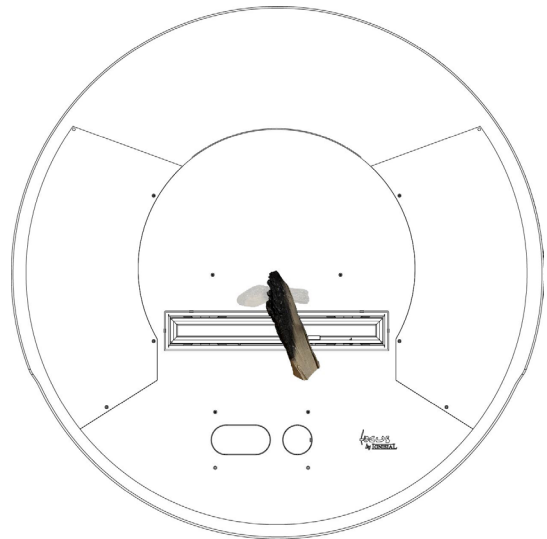
Allow free access to hatches



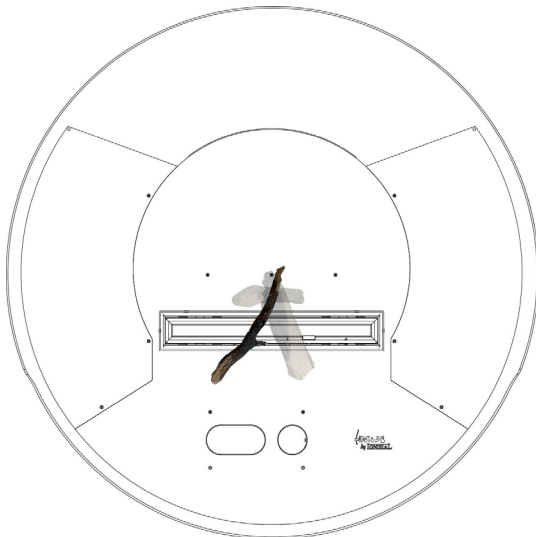
1



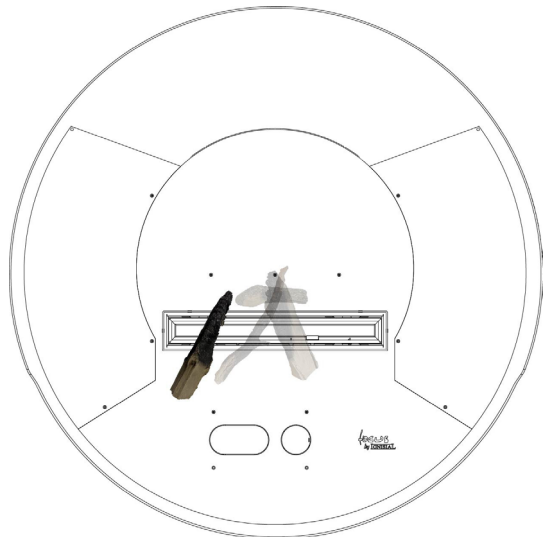
2



3

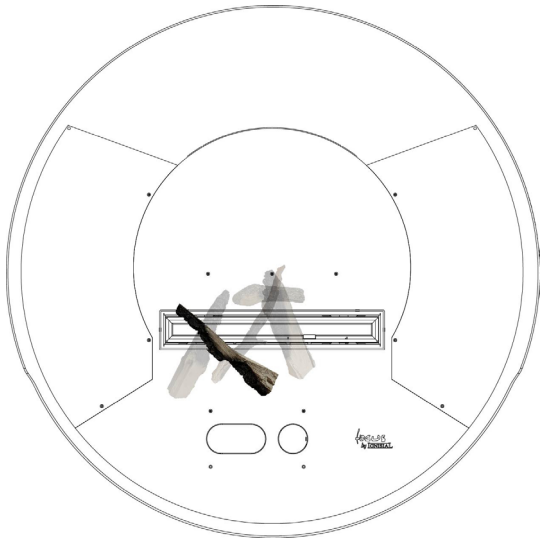


4

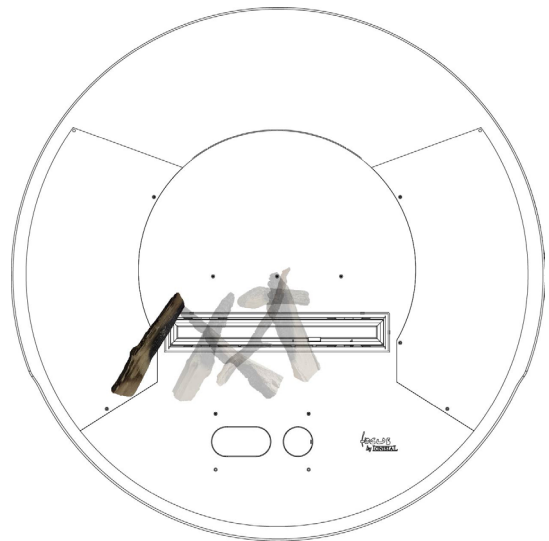


Installing the ceramic log kit

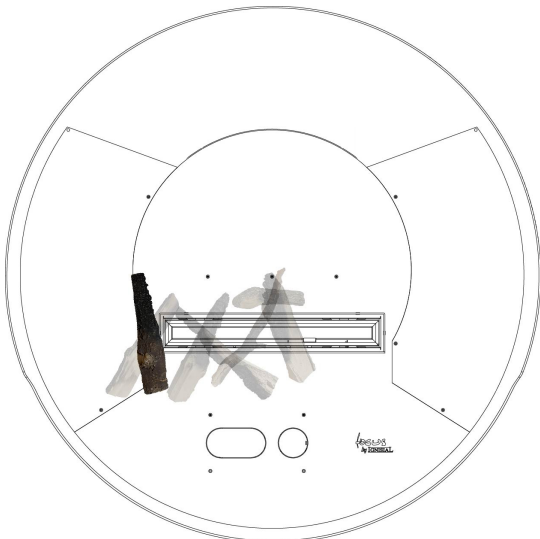
5



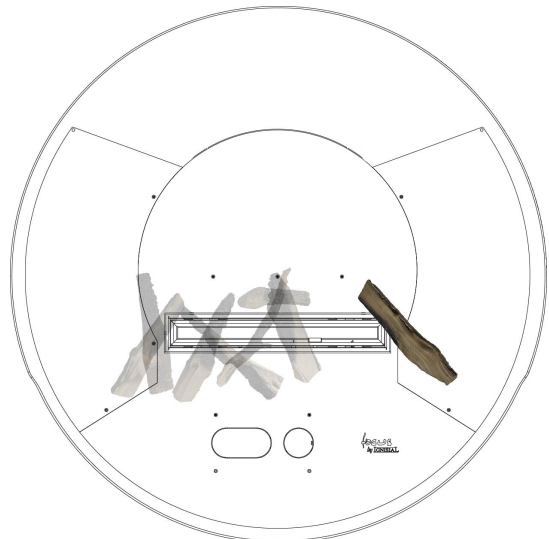
6



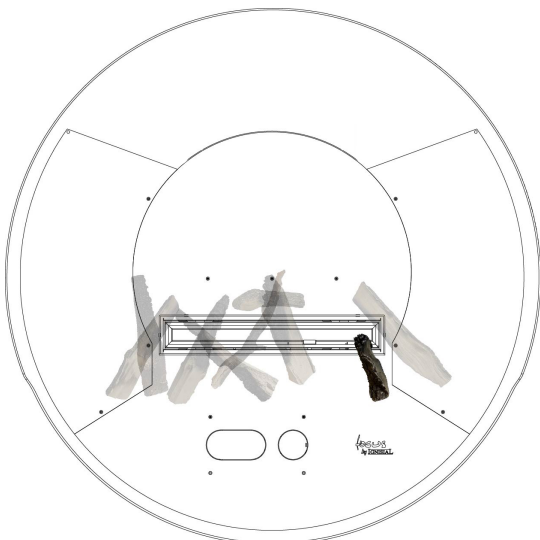
7



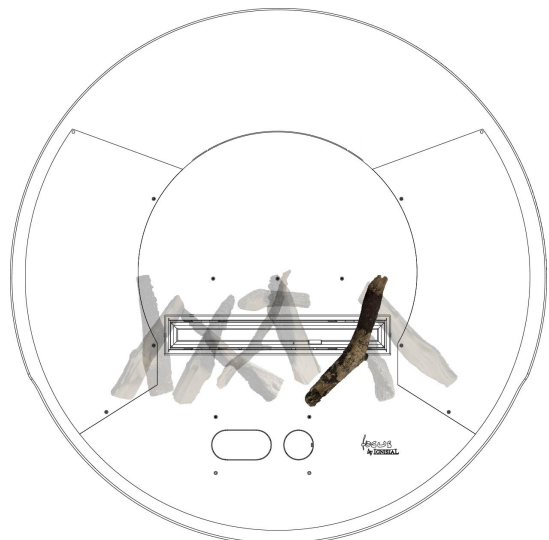
8



9



10



Operating instructions



FUEL WARNING :

The fuel to be used must be only 96% nonregenerated denatured ethyl alcohol in liquid form and must not be drunk.

The use of a fuel other than that recommended by IGNISIAL PARIS could have the following effects:

- Inability to detect ethanol in the tank, which will make it impossible to start the burner, with a very high risk of overflow.
- Damage to pump and filter.
- Creation of a deposit at the bottom of the manifold, leading to odour problems.

We recommend the use of the following ethanol to ensure the best durability of your appliance's components and the best flame experience:

- Aluflam (on sale at www.ignisial-paris.com)

The ethanol used must be at a temperature above 15°C.

Outside this temperature range, detection problems in the tank, in the combustion manifold and in the leak detection zones may occur.

This could lead to overflowing and an inability to start.

Fuel should only be stored or transported in stainless steel or plastic containers.

Ethanol must be kept out of the reach of children.

When filling, do not smoke and keep away from open flames.

The tank may only be filled once the burner has stopped and cooled down, and only via the filling point (see p. 17), never directly via the burner manifold.

Once the tank has been filled, if it is not empty, store the canister away from the fireplace.

Full or empty ethanol containers must be put away before the burner is lit.

It is strictly forbidden to store ethanol near the fireplace.

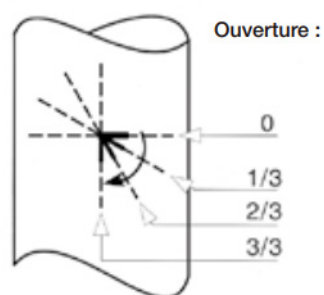
If ethanol accidentally spills on the burner or overflows during refuelling, clean and dry the burner and firebox thoroughly.

The burner will be blocked and cannot be lit for 12 hours. Children must not fill, light or extinguish the burner. The use of any other fuel is prohibited, as is the addition of any additive to the liquid by the user.

IF THERE IS A DAMPER :

As well as regulating the flue, the purpose of the damper, located on the flue, is to be able to block the flue when it is not in use.

Before igniting, check the position of the key, as the direction of the lever indicates the position of the damper. To change the position, pull the key towards you, turn it slightly and push it back to obtain one of the 4 possible positions of the damper disc inside the flue.



To ensure that your appliance operates properly and benefit from the guarantee, it is imperative to use positions 1/3 and 2/3 only, avoiding position 3/3 (open) because of the risk of disturbing the flame.

Above all, **it is forbidden to turn the button to position 0 (closed) while the appliance is running**, as this could damage the burner.

CHARACTERISTICS :

| | E-GNIS GYROFOCUS |
|--------------------------|---------------------------------------|
| Indicative maximum power | 9,5 kW/h |
| Ethanol range | 6h30 |
| Capacity | 10L |
| Filling | Electronic overflow protection |
| Minimum room volume | 175 m3 |
| Flame width | 500mm |
| Weight without ethanol | 35 kg |
| Dimensions (L x h x P) | 1196 x 944 x 141mm |
| Decor | Ceramic logs |
| Colour | Black |
| CO2 sensor | Yes (1000 ppm threshold) |
| Remote control | Yes |
| Battery | Yes |
| Battery life* | 9 ignitions - 7 refills |
| Electronic ignition | Yes |
| Burner guarantee | 2 years |

* Data may vary with time and battery wear

Filling the tank

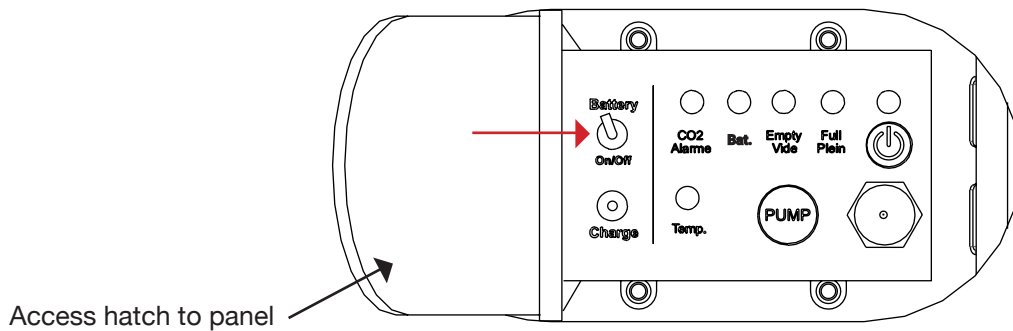



1ST USE AFTER INSTALLATION

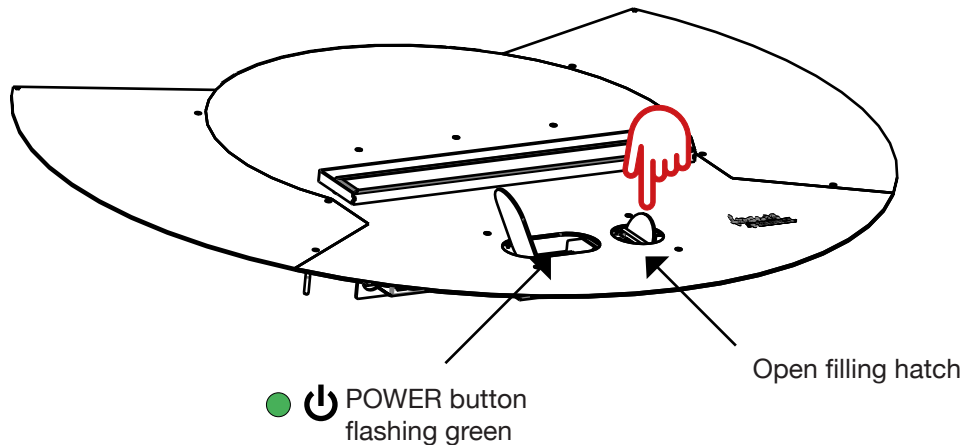
The first flare-ups may generate a few odours due to the initial rise in temperature of the materials making up the burner and firebox. Once the burner has been installed and in order to check that it is properly connected to the supply transformer, we recommend that you partially fill the tank to check the burner's various functions. We recommend filling the burner with approximately 2.5 litres of ethanol for the first ignition (see p16 to p19 for instructions on filling and igniting).

1 Lift the cover over the burner control panel.

Make sure that the power switch is in the ON position. If it is not, change the position. 5 seconds after pressing the switch, the display LEDs will light up once in succession.

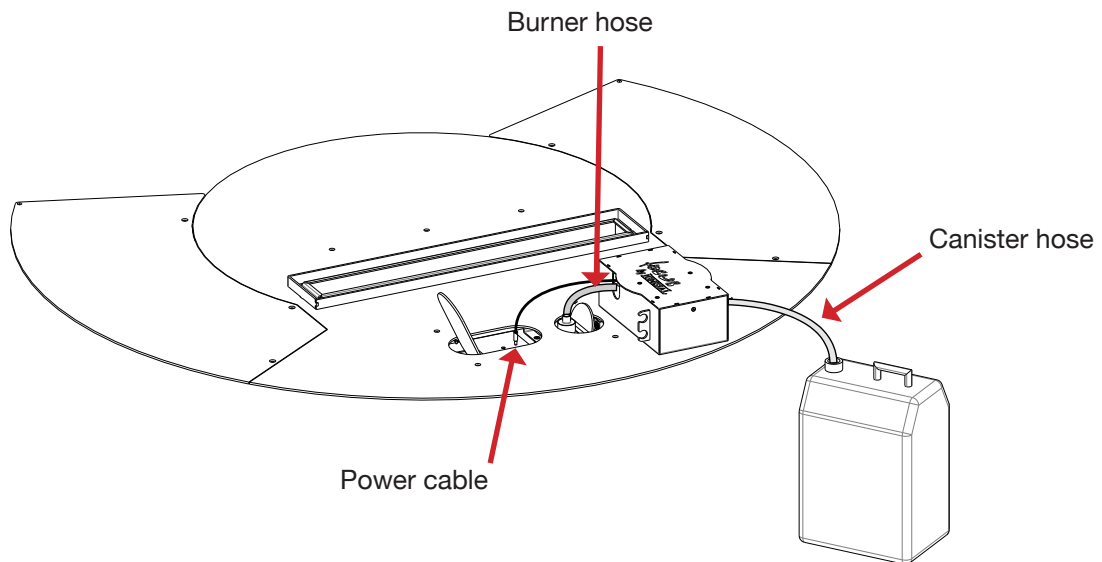


2 Hold down the POWER button  and press down on the back of the filling hatch to open it to the stop. Once the hatch is open, release the POWER button. The green light on the POWER button should flash.

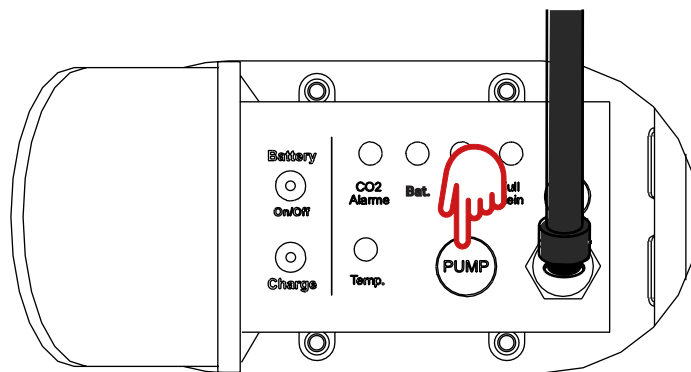


Filling the tank

- 3
- Connect the external pump power cable to the female port on the control panel.
 - Fit the aluminium ring on the burner hose. This ring ensures that the hose is held in place during filling.
 - Insert the canister hose into your canister.



- 4
- Make sure that all the components are properly connected, then **press the PUMP button** to start filling. Filling can be stopped at any time by pressing the PUMP button again. It works like an on/off button.




The pump stops automatically when the top level of the tank is reached.

- 5
- Once the pump has been switched off (maximum ethanol level reached or manual switch-off), remove it and close the hatch.

- 6
- When you have finished filling, close the filler flap and the control panel flap.





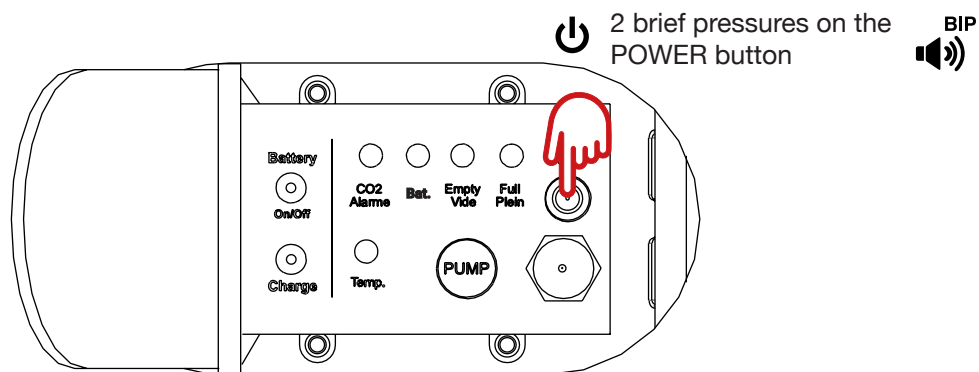
APPLIANCE UNSAFE DUE TO INCORRECT FILLING

In the event of overflow during filling a  be audible and all the LEDs on the control panel will be on (see p.22). The appliance will be clamped for 12 hours minimum. The ethanol outside the tank should be wiped up as much as possible using a kitchen paper, so as not to damage either the firebox or the burner. Any remaining ethanol that cannot be removed should eventually evaporate.

Checking the status of the burner

To find out about the burner's condition, you can perform a brief check to see if there is enough ethanol or if the temperature of the manifold is low enough.

- Lift the flap hiding the burner display panel.
- Press the POWER button  twice in quick succession until you hear a  BIP.
- The burner will then perform a complete check of the various sensors.






(*) Tip: If the Empty LED flashes, the burner is on reserve. We recommend refilling the ethanol tank.

Burner ignition

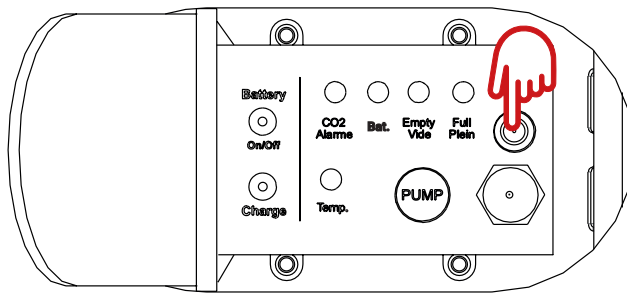
1 Check ethanol level (CF burner status check p. 18)

Before igniting, we recommend that you check the status of the burner as described in the above step.

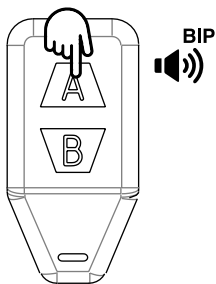
2.1 CASE 1: IGNITION USING THE CONTROL PANEL


- Lift the cover over the burner control panel.
- Press the POWER button briefly.  
- The burner starts. If it is not the case, an LED is displayed on the control panel and a second  can be heard (see p. 21 for the definition of the different control panels).
- The manifold then fills with ethanol. When the level is sufficient, the igniter turns red and combustion starts.
- Close the control panel cover.
- The ceramic igniter will switch off once the temperature in the manifold is sufficiently high.

 Brief pressure on POWER button 






2.2 CASE 2: IGNITION USING THE REMOTE CONTROL



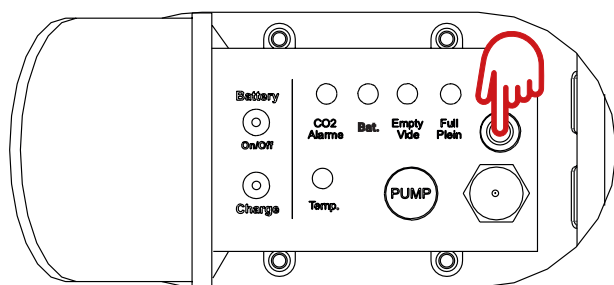
- Press button A on the remote control 
- The manifold should then be filled. If this is not the case, check the burner status on the control panel (see previous step) to find out why it has not started.

Burner extinction/switch-off

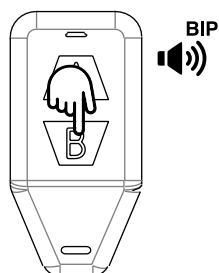
CASE 1: SWITCHING OFF USING THE CONTROL PANEL


- Lift the cover over the burner control panel.
- Press the POWER button briefly.   BIP
- The burner must emit a  BIP and the LEDs should light up and go out one after the other. The fireplace
- will then consume the amount of ethanol left in the manifold (extinction after 2 to 5 minutes).

 Brief pressure on POWER button  BIP



CASE 2: SWITCHING OFF USING THE REMOTE CONTROL



- Press button B on the remote control  BIP
- The burner will then consume the amount of ethanol left in the manifold (extinction after 2 to 5 minutes).

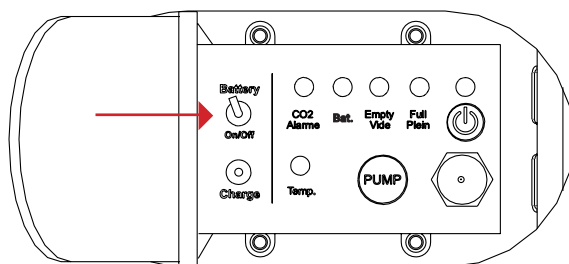
CASE 3: NO ETHANOL LEFT

If there is not enough ethanol to supply the pump, the burner will emit an audible signal and switch-off. The burner will then consume the quantity of ethanol left in the manifold (extinction after 2 to 5 minutes).

CASE 4: THE APPLIANCE SWITCHES OFF AUTOMATICALLY

Refer to the control panel display (see p. 21)

If you are away from home for a long time, please switch the battery switch to OFF.



Appendix: Control panel display

| | | |
|---|--|---|
| A | | <p>LED POWER fixed : Burner in operation.</p> |
| B | | <p>LED POWER flashing : Open hatch for filling.</p> |
| C | | <p>LED EMPTY fixed Burner with empty tank.</p> |
| D | | <p>LED POWER fixed + EMPTY LED flashing: Burner at the end of the tank. Less than one hour of autonomy.</p> |
| E | | <p>LED FULL/PLEIN fixed : Burner with full tank.</p> |
| F | | <p>LED FULL/PLEIN fixed + POWER fixed : Burner with full tank in operation.</p> |

Appendix: Control panel display

| | | |
|---|--|---|
| G | | <p>LED TEMP. flashing : Burner with hot manifold. Burner cannot be lit or opened.</p> |
| H | | <p>LED CO2 ALARME fixed : CO2 level in the surrounding air is too high. Ventilate the room immediately and contact the installer.</p> |
| I | | <p>All LEDs flashing : Ethanol level in tank too high. Unable to start. Open the fuel filler flap and drain off any excess ethanol.</p> |
| J | | <p>FULL/PLEIN LEDs + EMPTY/VIDE + BAT. + CO2/ALARME Fixed : Leak or overflow fault. Mop with a cloth if there is a lot of spillage.</p> |
| K | | <p>LEDs BAT. + CO2/ALARME + TEMP clignotante successivement : Injection problem in the manifold. The manifold filling time has exceeded the safety time. The burner has tripped. Contact your installer.</p> |
| L | | <p>LED BAT. fixed Weak batteries. Please charge them up (see p.11).</p> |

1. Introduction

Our ethanol burner is guaranteed* from the date of invoice for the period specified in paragraph 5: guarantee period. If your appliance malfunctions, please contact your retailer or our after-sales service by e-mail:

info@focuscreation.com.

**The terms and conditions of the appliance guaranty are clearly defined in paragraphs 2 and 3 of this document..*

2. Conditions of application of the guarantee

The guarantee only applies when :

- The installation was carried out in strict compliance with all the information (instructions, sheets, cardboard forms) supplied with our products.
- After examining the equipment, if it is clear that it has not suffered any impact And has been used in accordance with the rules for use and maintenance
- The customer is able to present the original purchase invoice and the signed guarantee contract.

3. Guarantee exclusions

The guarantee does not cover :

- Damage caused by work carried out on our products by an unauthorised third party (other than a Focus installer) other than that illustrated and explained in our instructions.
- Damage caused by modifying the appliance or by using it for purposes other than those specified in the instructions. Removing the top plate of the burner will invalidate the guarantee.
- Damage caused by failure to maintain the equipment or neglecting to do so.
- Damage due to external causes.
- Visible damage that the end customer did not mention at the time of purchase.

4. Litigation

In the event of disputes, the Commercial Court of Montpellier shall have sole jurisdiction, regardless of the place of delivery, even in the event of multiple defendants or guarantee claims.

5. Guarantee period

- Burner: 2 years
- Accessories (filling pump, batteries, charger): 2 years
- Small accessories for burner not guaranteed
- Consumables not guaranteed

In any event, the supplier remains responsible for the legal guarantee in the event of defects or hidden faults in the product.

